
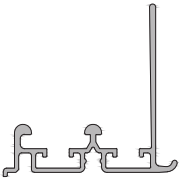
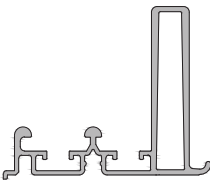
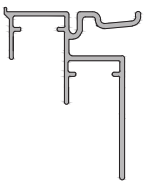


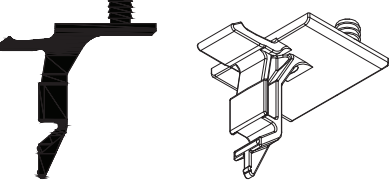


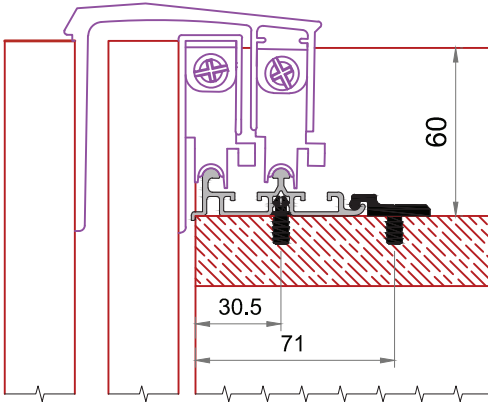
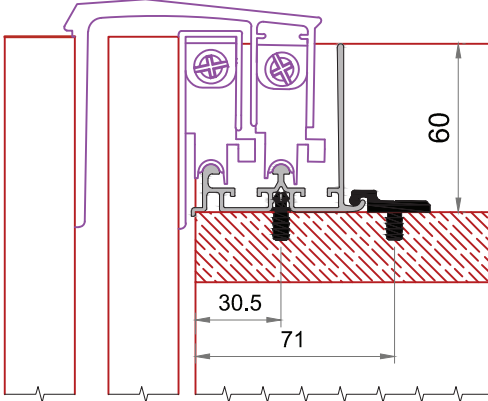
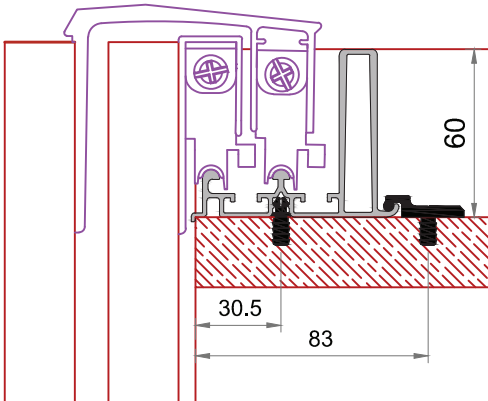
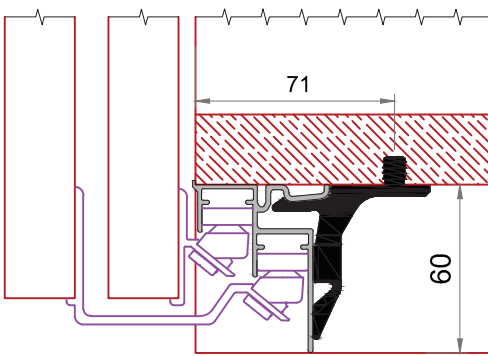
Furnitures accessories

CAM EXPORI

MASTER QUICK

MASTER QUICK

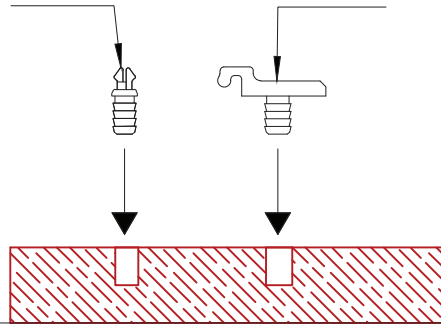
COMPONENTS	DESCRIPTION	ART.
	Upper rail	MQ10
	Upper rail	MQ13
	Upper rail	MQ16
	Lower rail	MQ20
	Hooking clip for upper rail	MQ910
	Clip upper rail	MQ911
	Clip lower rail	MQ920

RAIL	SECTION
MQ10	
MQ13	
MQ16	
MQ20	

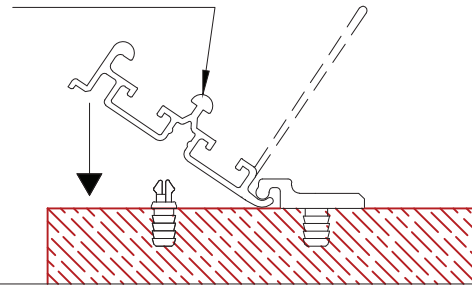
Upper rail

ASSEMBLY OF THE UPPER RAIL TO THE TOP

MQ 911 MQ 910

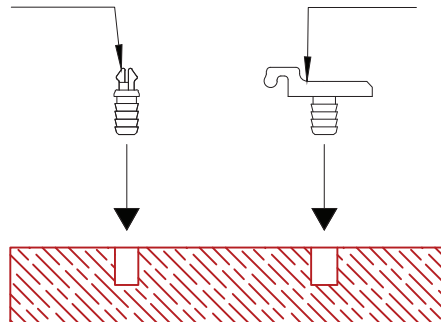


MQ 10 o MQ 13

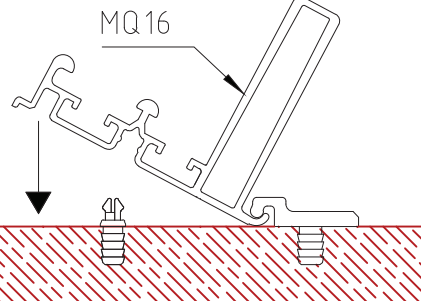


- *Fix hooking and clip to the top of the wardrobe as indicated in the drawing*
- *Insert the upper rail into the clip*
- *Turn it and hook to the clip*

MQ 911 MQ 910



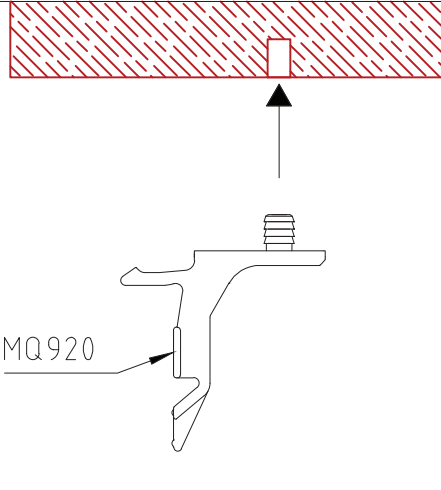
MQ 16



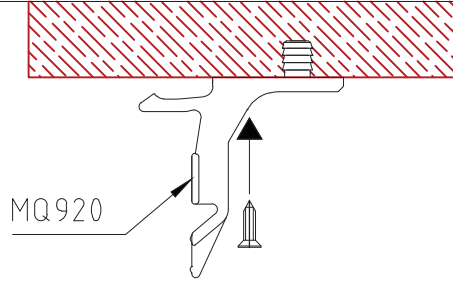
Lower rail

ASSEMBLY OF THE LOWER RAIL TO THE BOTTOM OF THE FURNITURE

MQ 920

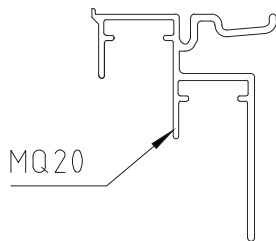


MQ 920

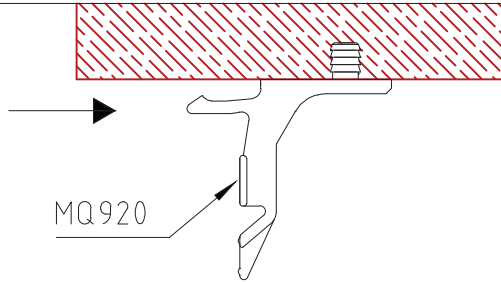


- *Fix clip to the bottom of the wardrobe as indicated in the drawing*
- *Block the clip with a screw.*
- *Insert the lower rail up to hook it to the clip.*

MQ 20

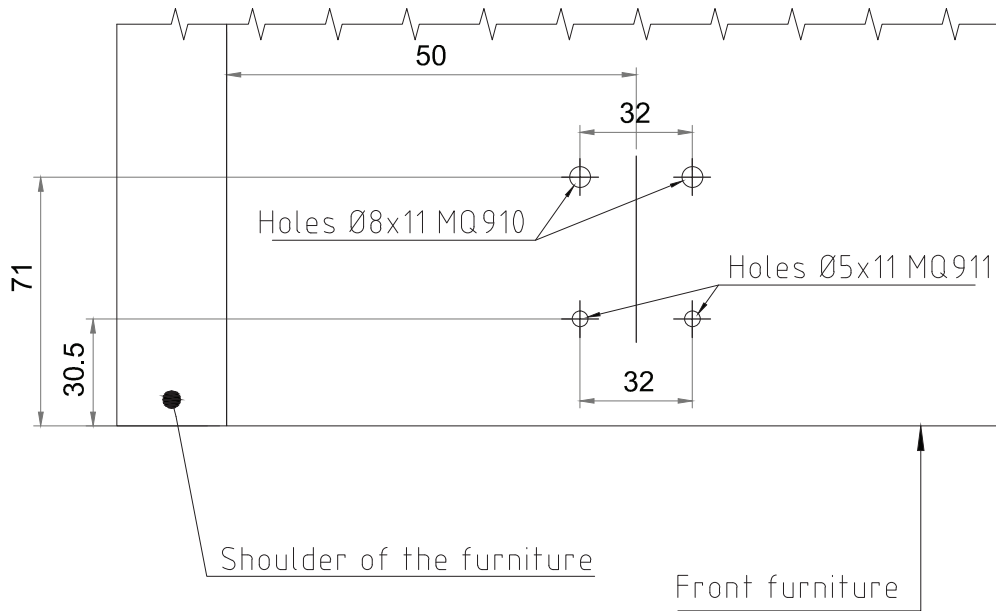


MQ 920

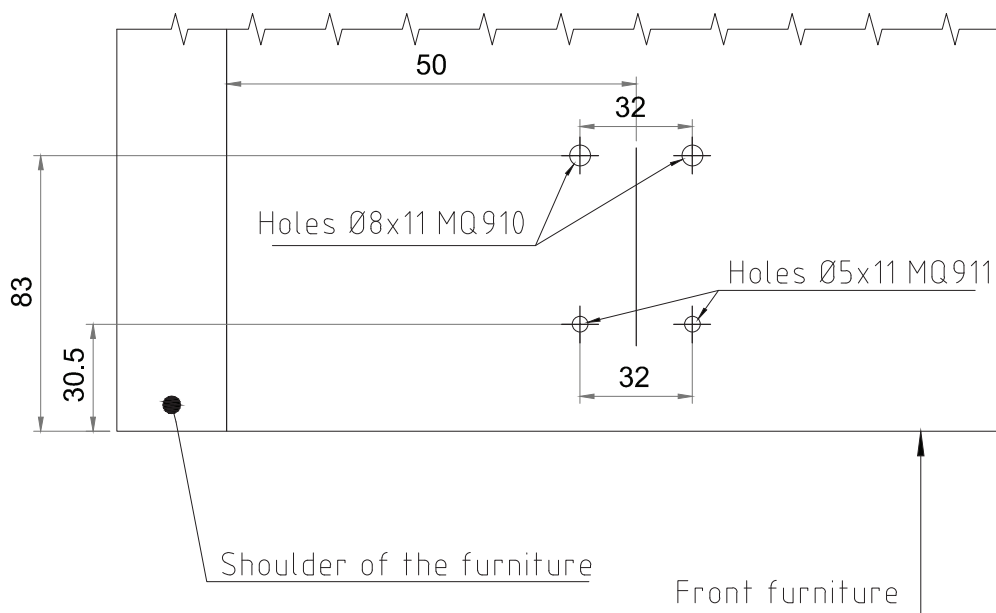


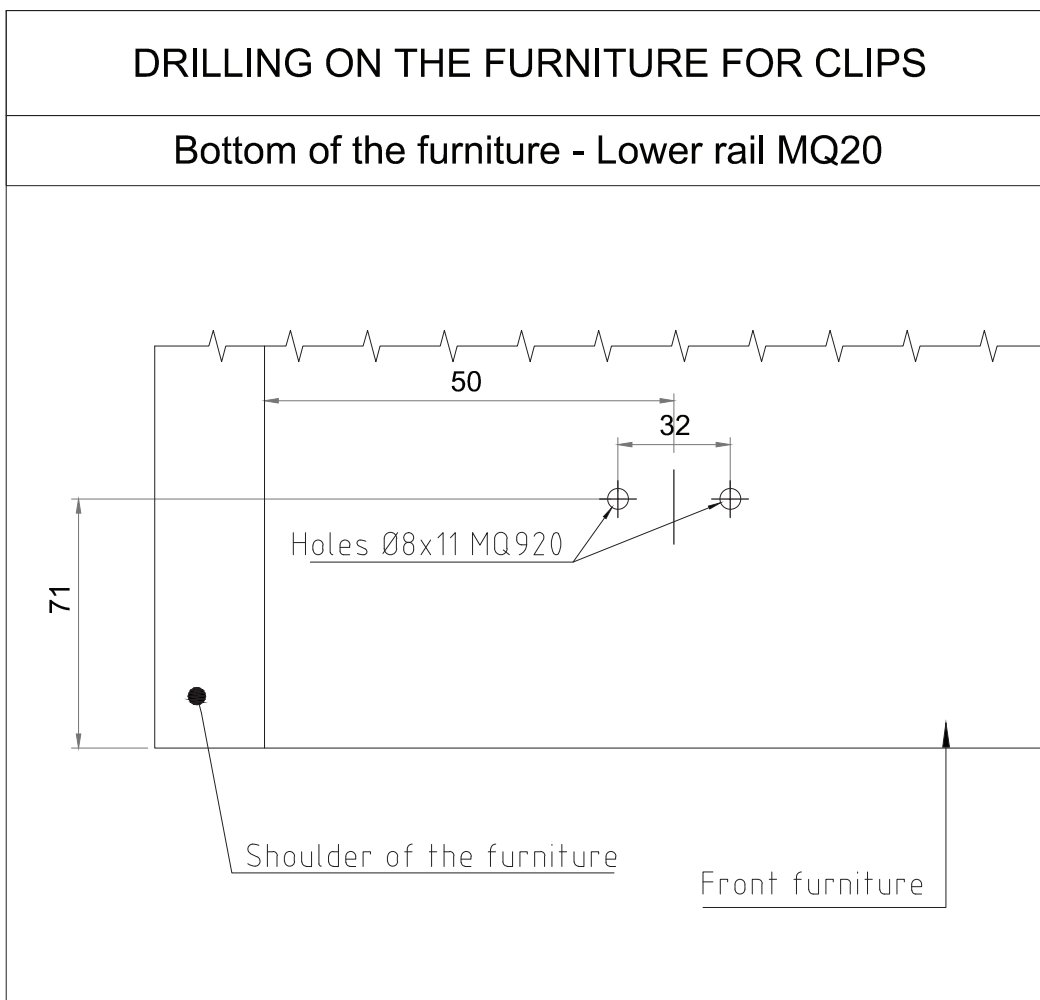
DRILLING ON THE FURNITURE FOR CLIPS

Top of the furniture - Upper rails MQ10 or MQ13



Top of the furniture - Upper rail MQ16





The recommended distance between a clip and the another is 400 mm